



Exchange
for good

— MADE IN ITALY —



TAILOR  **MADE**
HEAT EXCHANGERS
CIPRIANI

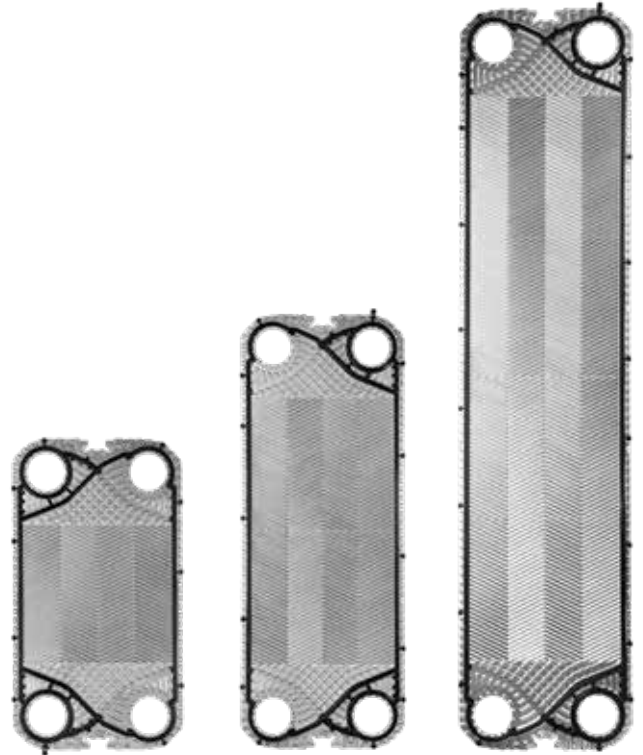
GAMMA PRODOTTI / PRODUCT RANGE DN 65 - 2" 1/2

Standard o Personalizzabili
Standard or Customized



Exchange
for good

TAILOR MADE
HEAT EXCHANGERS
CIPRIANI



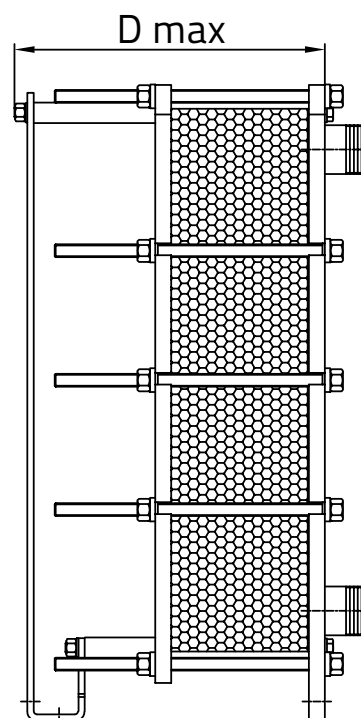
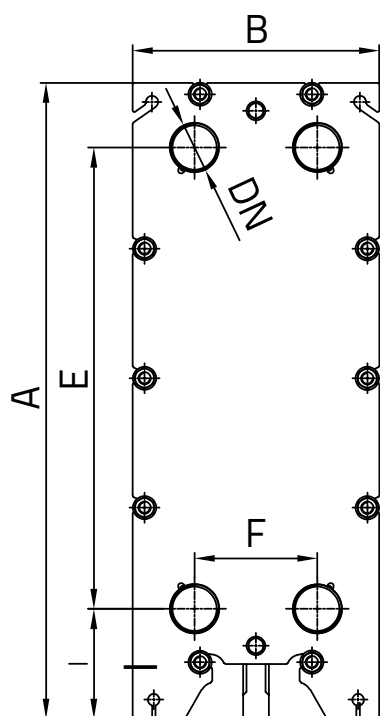
Gamma Prodotti	Product Range	P110+			P210+			P410+		
Area di scambio [m ²]	Exchange area [m ²]	0,118			0,21			0,395		
Larghezza [mm]	Width [mm]	320								
Altezza [mm]	Height [mm]	584			848			1375		
Diametro connessioni	Connections diameter	DN65 2"1/2								
Capacità canale [l]	Channel capacity [l]	0,335			0,52			0,891		
Quota di serraggio [mm]*	Tightening quote [mm]*	3								
Peso piastra (con guarnizione) [Kg]*	Plate weight (with gasket) [Kg]*	0,722			1,058			1,738		
Angolo di corrugazione	Corrugation angle	A/B								
Portata max d'acqua [m ³ /h]	Max. water flowrate [m ³ /h]	80								
PS=> Pressione max di esercizio [bar]	PS=> Max working pressure [bar]	10	16	25	10	16	25	10	16	25

* standard AISI316L 0,5mm

DN32	DN50	DN65	DN80	DN100	DN150	DN200
------	------	------	------	-------	-------	-------

Tutti i dati e disegni nel presente documento possono subire variazioni senza preavviso e non sono vincolanti per il produttore.
All data and drawings herewith described can be changed without prior notice and are not binding for the manufacturer.

DIMENSIONI TELAI / FRAMES DIMENSIONS



	S110+				S210+				S410+				
A	729 / 760				992 / 1024				1551				
B	385 / 400				385 / 400				400				
E	456				720				1247				
F	192				192				192				
I	171				171				171				
Np max	41	71	101	151	41	71	101	151	41	71	101	151	251
D max	355	495	635	865	355	495	635	865	485	485	625	855	1315
DN	DN65 2"1/2												

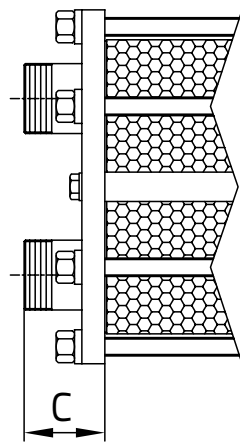
Ingombro delle connessioni (C) / Connections dimensions (C)

J-J	88	88	-
M-M	93	93	-
J-M	93	93	-
R-R	88	88	-
J-R	88	88	-
Y-Y	88	88	-
A-A B-B U-U	36	28 / 36	36
C-C E-E V-V	36	28 / 36	36

Tutte le dimensioni sono in mm - Np = numero di piastre. All dimensions are in mm - Np = number of plates.

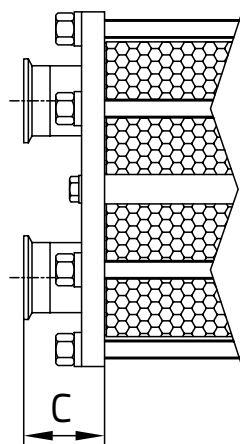
**CONNESSIONI FILETTATE MASCHIO
GAS MALE THREADED CONNECTIONS**

J/M



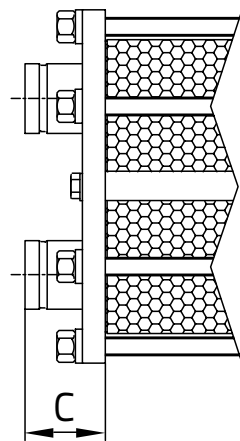
**CONNESSIONI CLAMP ISO 2852
ISO 2852 CLAMP CONNECTIONS**

R



**ATTACCHI MOBILI
AD ESTREMITÀ SCANALATA
GROOVED PIPE CONNECTIONS**

Y

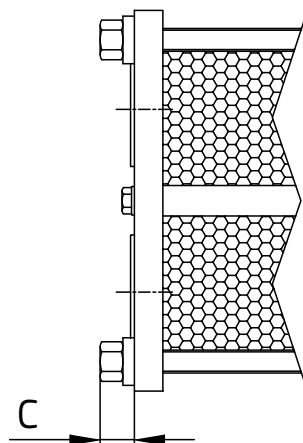


**CONNESSIONI FLANGIATE ISO
ISO STUDDED PORTS**

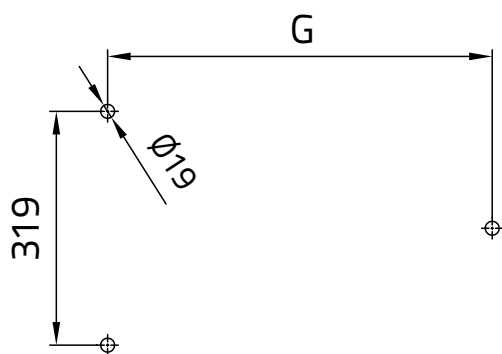
A/B/U

**CONNESSIONI FLANGIATE ANSI
ANSI STUDDED PORTS**

C/E/V



ANCORAGGIO A TERRA (G) / GROUND ANCHORING (G)



PS 10 PS 16 PS 25

S110+/S210+

Max 41p	385	390	395
Max 71p	525	530	535
Max 101p	665	670	675
Max 151p	895	900	905

S410+

Max 41p	583	583	588
Max 71p	583	583	588
Max 101p	723	723	728
Max 151p	953	953	958
Max 251p	1413	1413	1418

Tutte le dimensioni sono in mm. All dimensions are in mm.

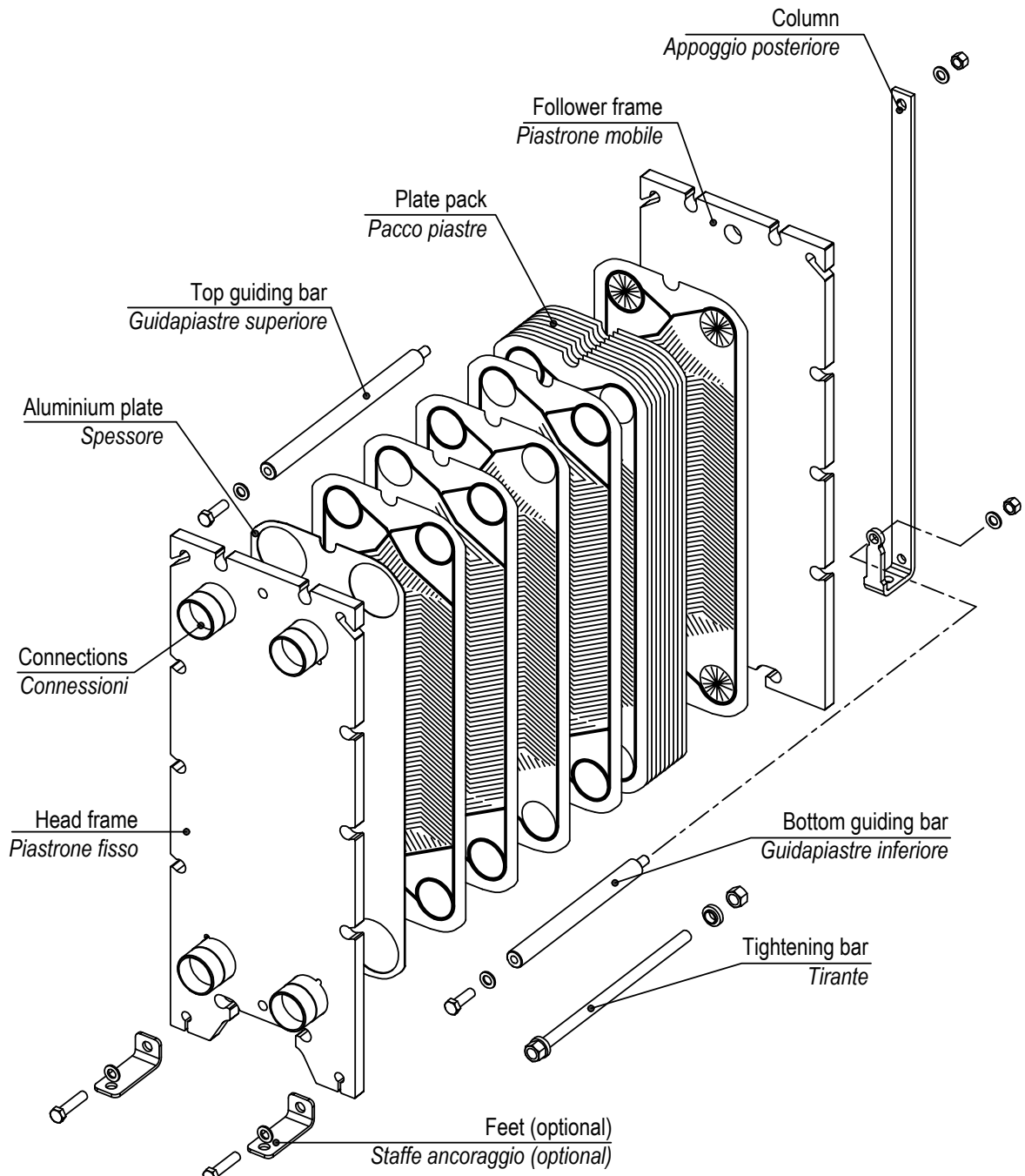
MATERIALI / MATERIALS

		S110+	S210+	S410+
Piastre Plates	AISI 304	●	●	●
	AISI 316L	●	●	●
	254 SMO	●	●	●
	Titanio / Titanium	●	●	●
Guarnizioni Gaskets*	NBR	●	●	●
	EPDM Prx.	●	●	●
	FPM	●	●	●
	HNBR	●	●	●
Telai Frames**	Acciaio Carbonio / Carbon steel	●	●	●
	Acciaio inox / Stainless steel		●	
Attacchi Connections**	J (AISI316)	●	●	
	M (PP)	●	●	
	R (Clamp)	●	●	
	Y (Victaulic)	●	●	
	A / C (Rubber lined)		●	●
	B / E (AISI316L lined)	PS 25	●	
	U / V (Unlined)	PS 25	●	●

Materiali guarnizioni e temperature massime Gaskets material maximum temperatures

NBR	-20 °C	110 °C
EPDM Prx.	-20 °C	160 °C
FPM	-20 °C	200 °C
HNBR	-20 °C	160 °C

* Le temperature devono essere considerate non applicabili in tutte le condizioni di lavoro. The temperatures must be considered not applicable in all working conditions. ** Per configurazioni non standard contattateci. For non-standard configurations please contact us.



CERTIFICATIONS APPROVALS



• ACS
Attestation de Conformité Sanitaire

• OHSAS 18001
Occupational Health and Safety

• ISO EN 9001:2015
European Quality Certificates

• PED 2014/68/UE
Pressure Equipment Directive
Module B,D1 & D (up to Risk Cat. IV)



• WRAS
EPDMprx gasket compound approved



• ISO 14001
Environmental Management



Exchange
for good

Via Nassar, 46 - 37026 Pescantina (VR)
Tel. +39 045 6750065 • Fax +39 045 6750118
info@cipriani-phe.com
cipriani-phe.com